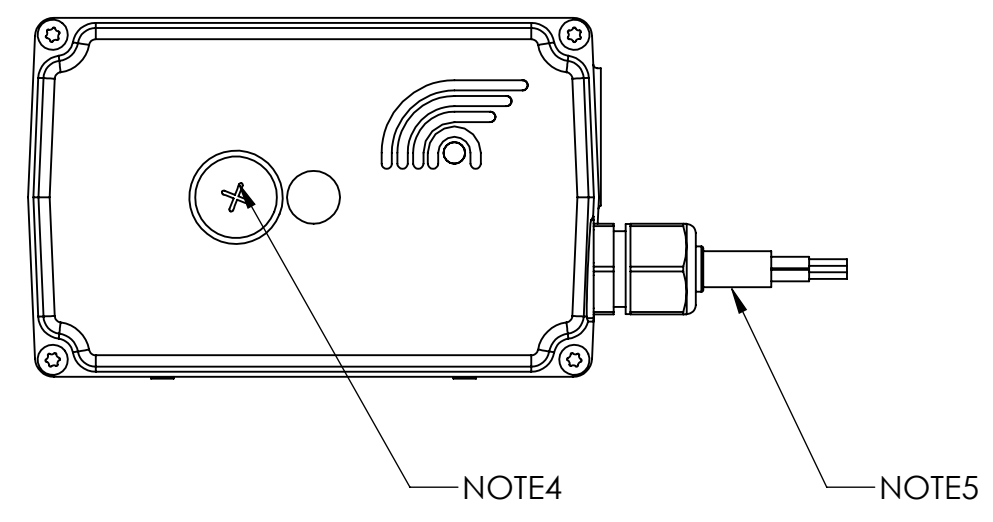
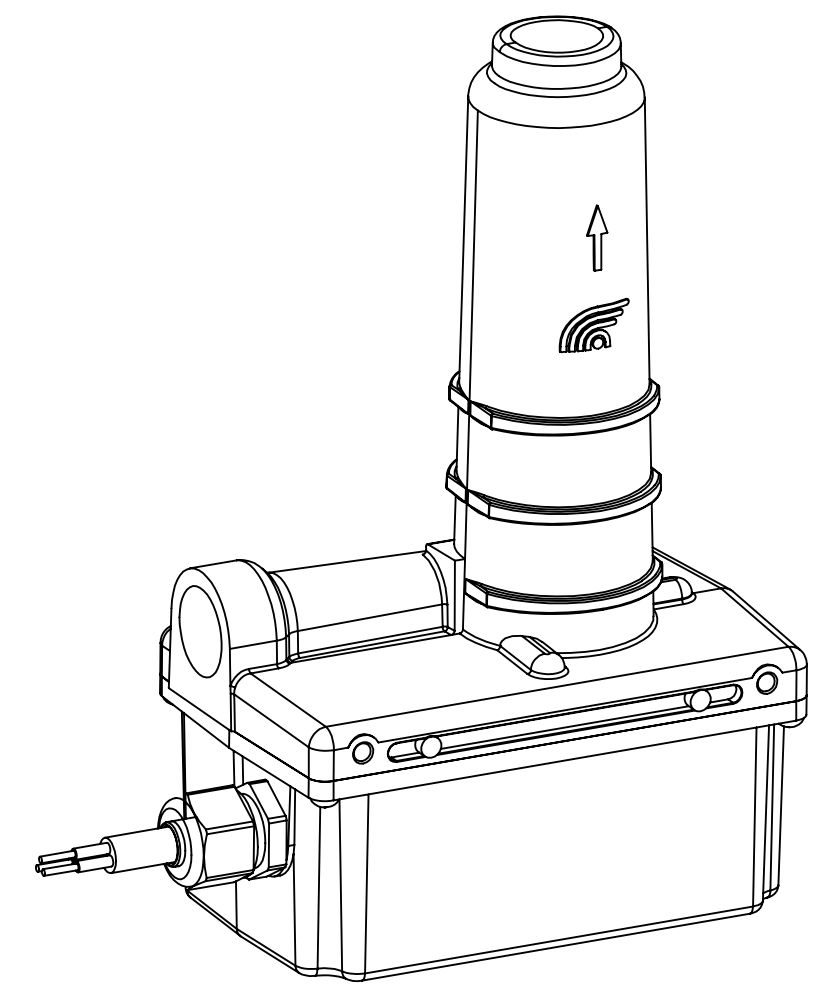
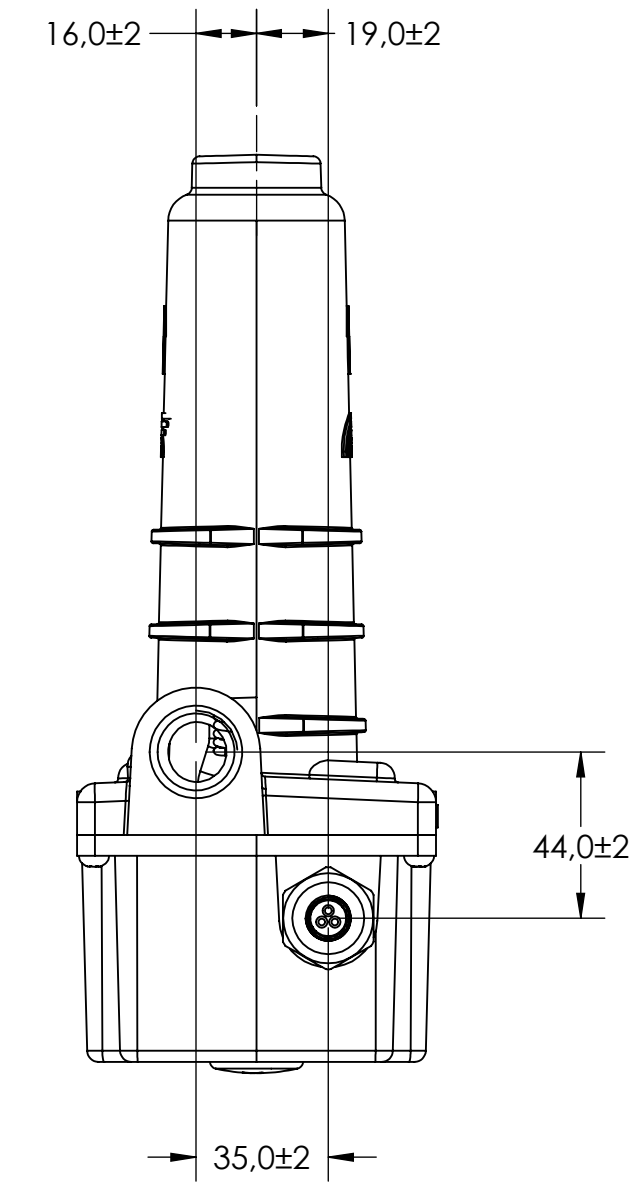
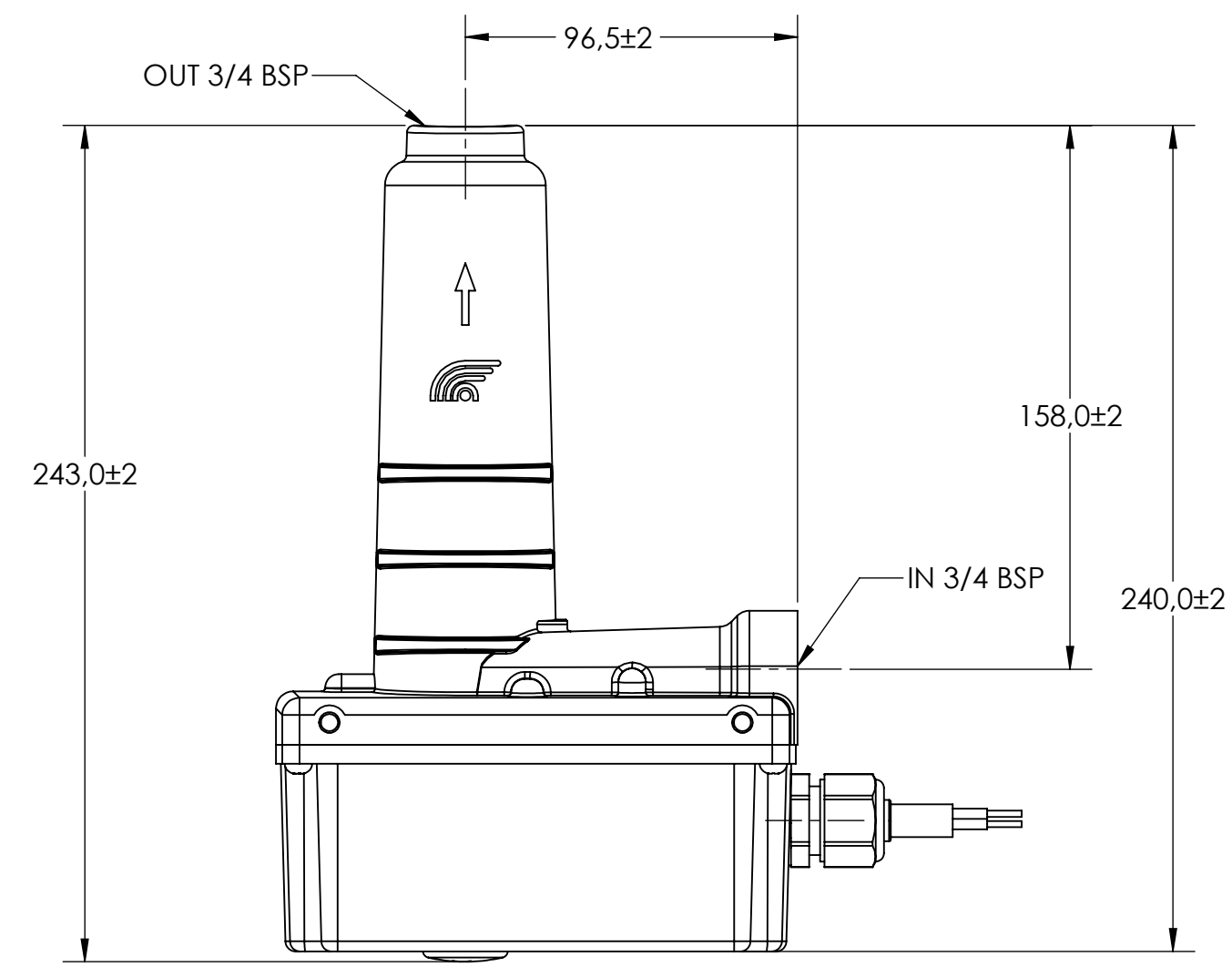
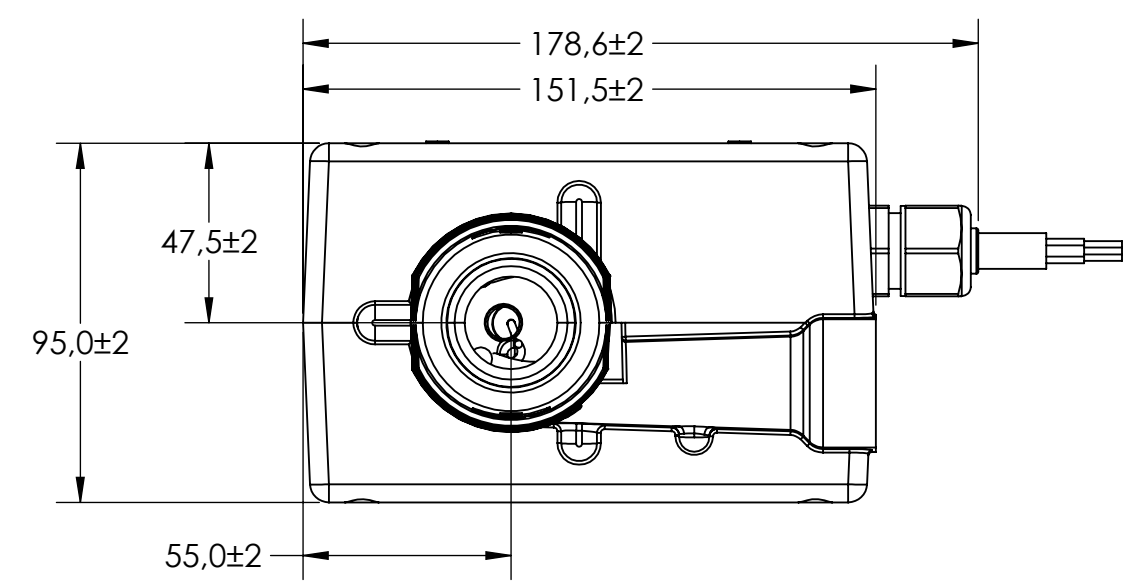


PROPRIETARY AND CONFIDENTIAL
 This document is the property of Phillips & Temro Industries, Ltd. and contains proprietary and trade secret information. The recipient of this document agrees to use the information contained herein only for the purpose for which it was furnished by Phillips & Temro Industries, Ltd. and agrees not to copy or disclose this information without prior written approval. This notice shall appear on any complete or partial reproduction of this document.



- NOTES:**
 1: RATING : 3000 WATTS NOMINAL @ 230 VOLTS AC NOMINAL
 2: 13 AMPS NOMINAL
 3: REGULATING THERMOSTAT : 35-50°C/95-122°F ADJUSTABLE
 4: SAFETY THERMOSTAT 110°C/230°F WITH MANUAL RESET
 5: POWER CABLE 2m PIGTAIL
 6: INDIVIDUALLY PACKED

A	FIRST RELEASE	19/07/05	SL NLU
REV.	ECO#	DESCRIPTION	DATE
REVISIONS			CAD SOURCE:
PHILLIPS & TEMRO industries			SOLIDWORKS
DIMENSIONS ARE IN: <input type="checkbox"/> INCHES <input checked="" type="checkbox"/> MILLIMETERS <input type="checkbox"/> INCHES[MM]			
UNLESS SPECIFIED DIMENSION TOLERANCES ARE			
ANGLES	INCHES	MILLIMETERS	THIRD ANGLE PROJECTION
±1 °	(X.X) ±	(X.) ± 1	
	(X.XX) ±	(X.X) ± .5	
	(X.XXX) ±	(X.XX) ± .25	
MATERIAL: SEE BOM			
DATE: 19/07/05		DRAWN BY: SL	
SCALE: 1:2		APPROVED BY: NLU	
DESCRIPTION:			
THG,3KW, 230, 1 PH			
DWG ORIGIN	SIZE	PART No.	REV
EDEN PRAIRIE	C	THG230130003550M	A
SHEET 1 OF 1			

SPECIAL CHARACTERISTICS	
I	INSPECTION
F	FIT/FUNCTION
S	SAFETY/COMPLIANCE