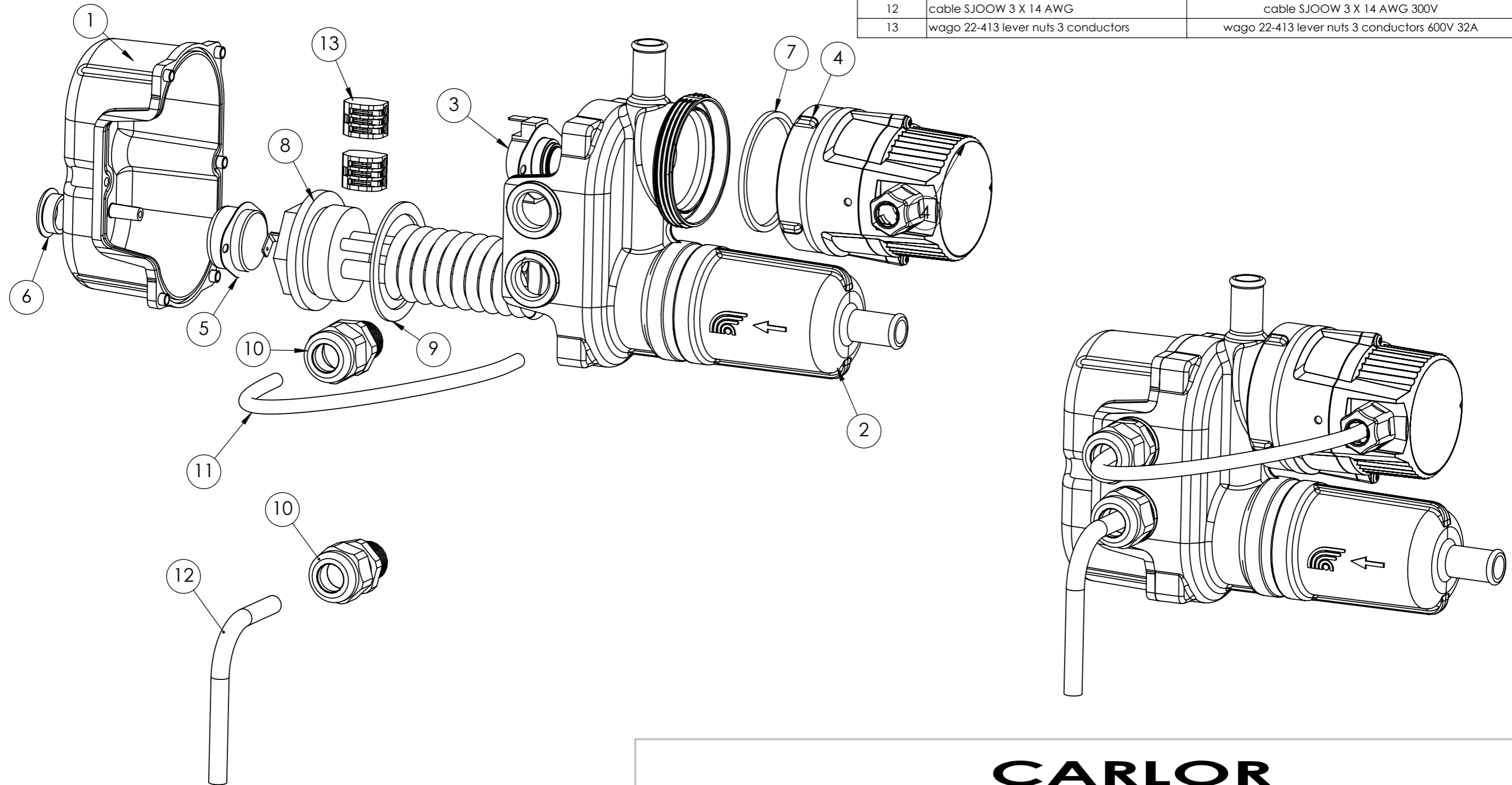


No. ARTICLE	PartNo	DESCRIPTION	QTE
1	pretection cover 01	plastic die casting Ultramid A3X2G5	1
2	heating body 31	heating body in aluminum injection die casting AS9U3	1
3	regulation thermostat TOD 60T	regulation thermostat 250V 25A 100000 cycles	1
4	Vortex pump BWO155	pump motor 120-230V 50/60Hz	1
5	safety thermostat TOD 10H14	safety thermostat with manual reset open 110°C 6000 cycle	1
6	M20 cable gland cover essentra 127502061302	cable gland cover plastic grey nylon 6/6 M20	1
7	pump seal	seal	1
8	heating element IRCA SPA RW	heating element in incoloy 800	1
9	heating element gasket	heating element gasket	1
10	cable gland essentra 462614	M20 cable gland plastic black nylon 6/6 IP68	2
11	cable SJTW 2X 18AWG	cable SJTW 105°C 18AWG 300V	1
12	cable SJOOW 3 X 14 AWG	cable SJOOW 3 X 14 AWG 300V	1
13	wago 22-413 lever nuts 3 conductors	wago 22-413 lever nuts 3 conductors 600V 32A	2



**CARLOR**

**FLOWSTART**