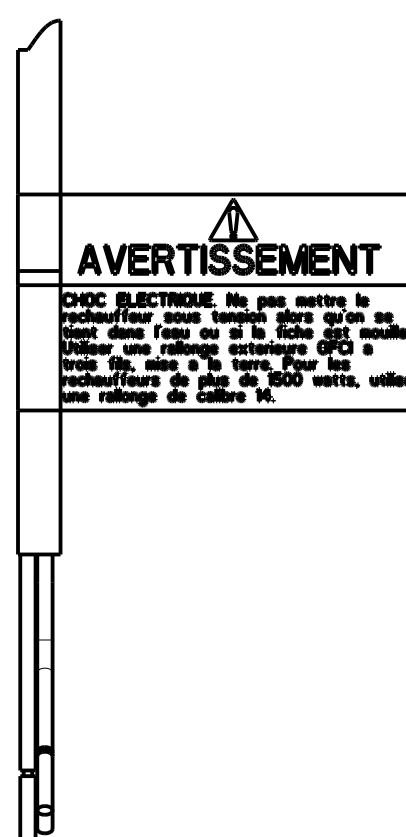
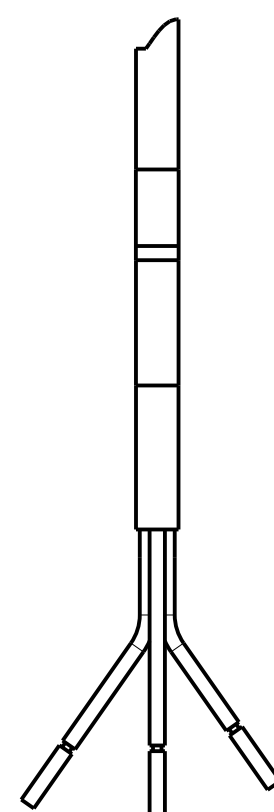
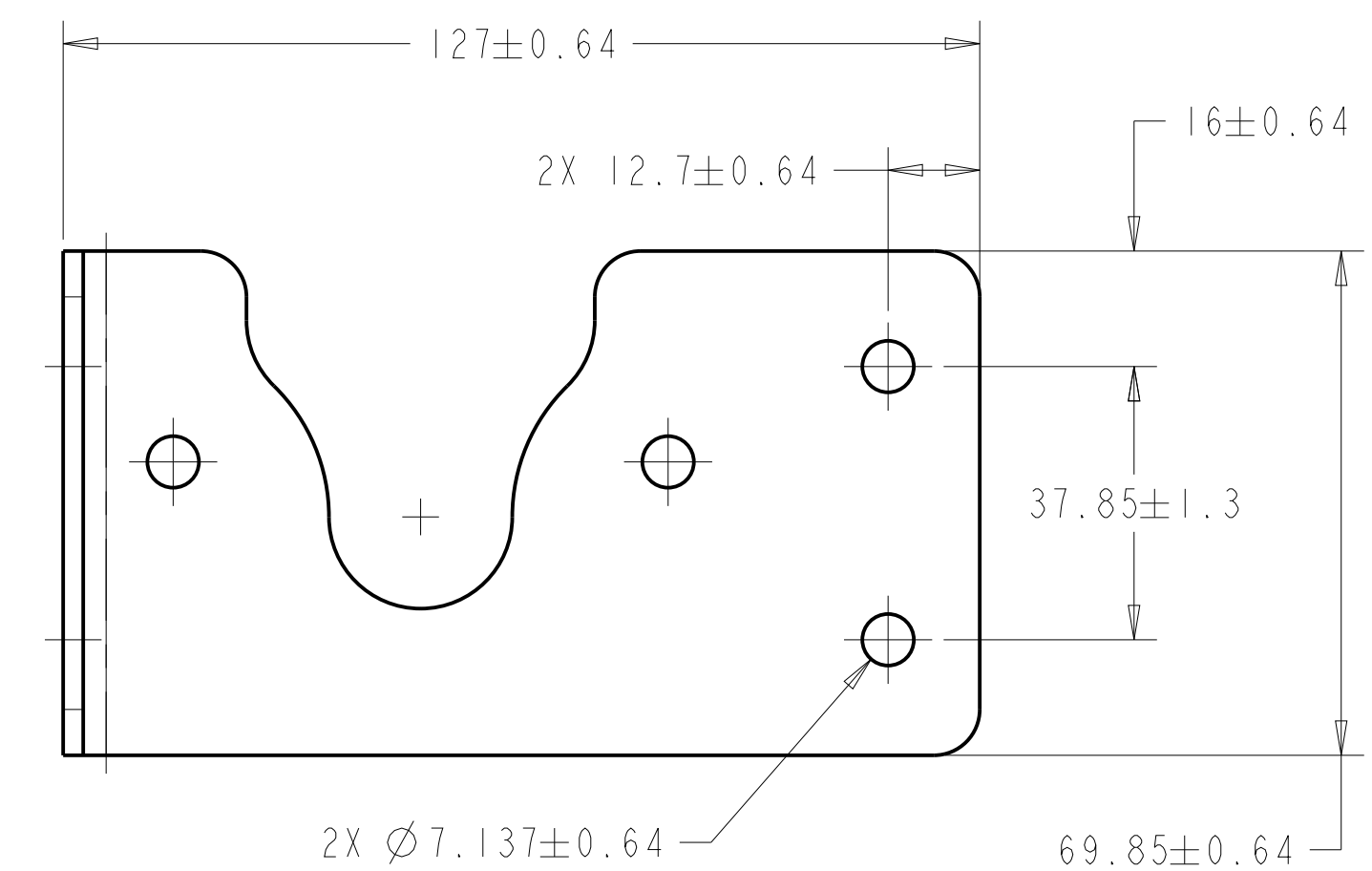
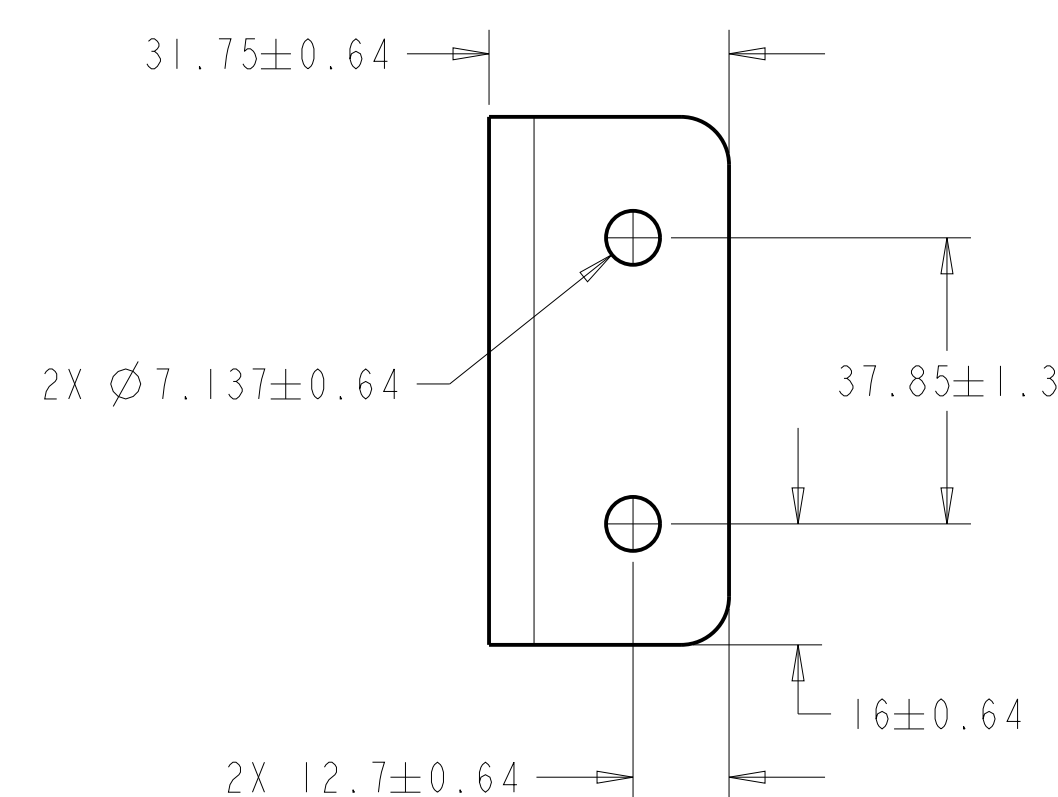
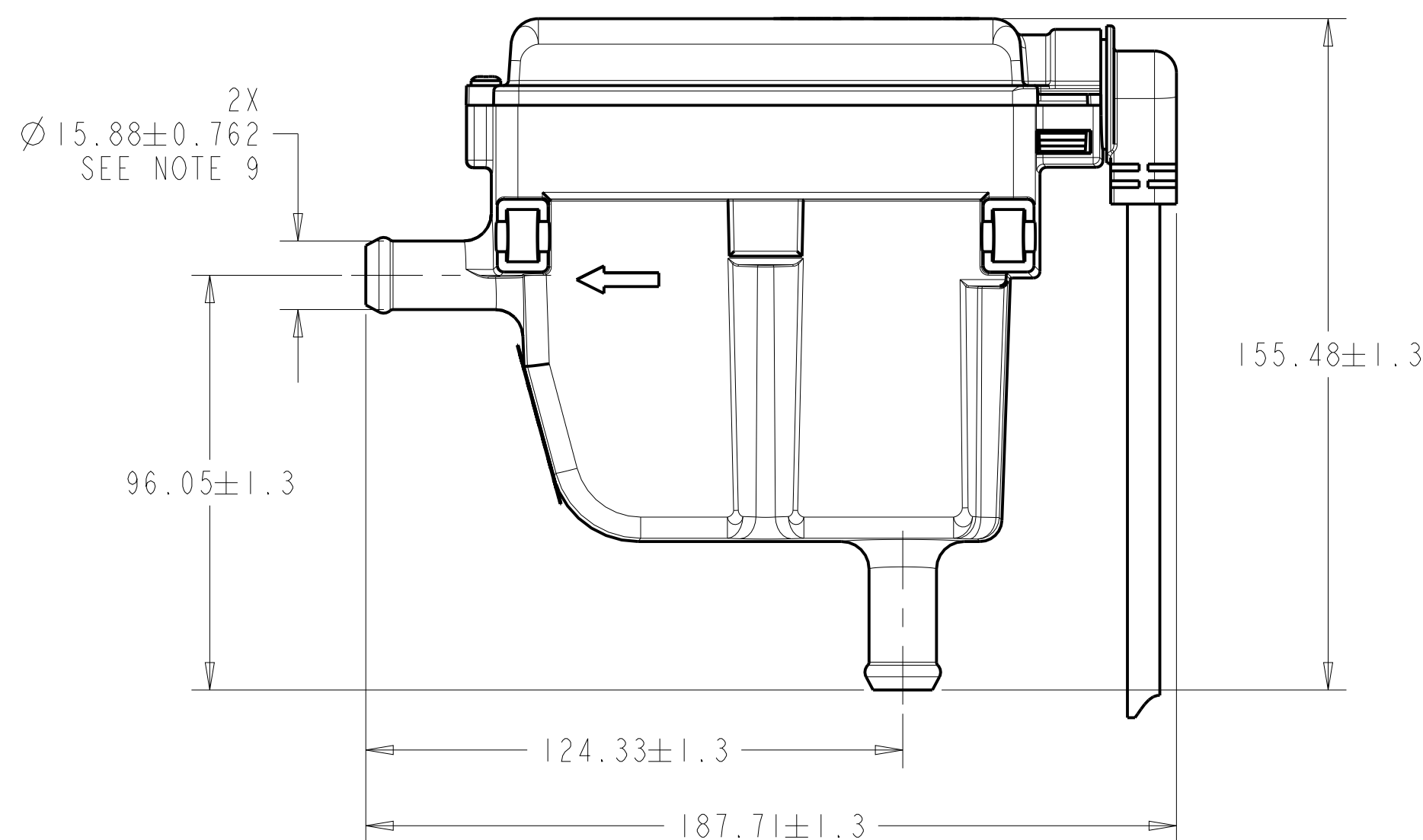
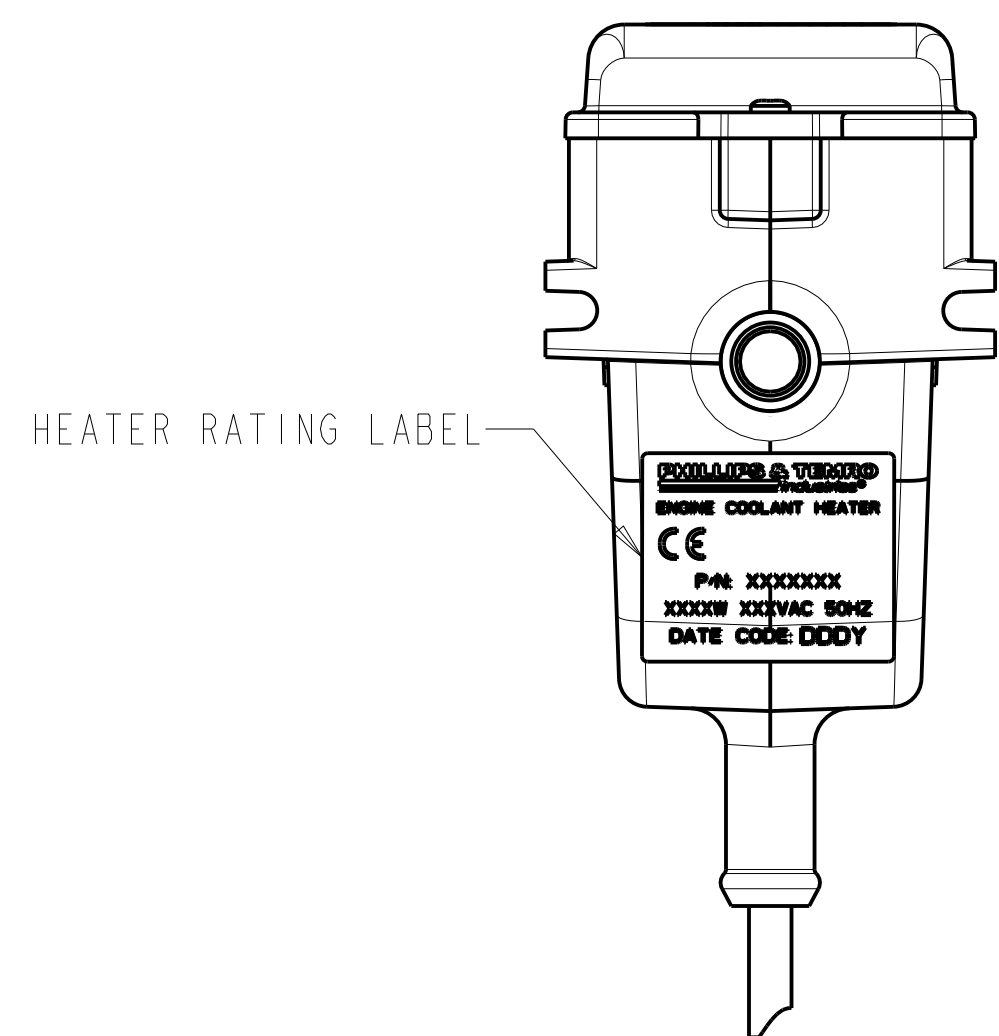
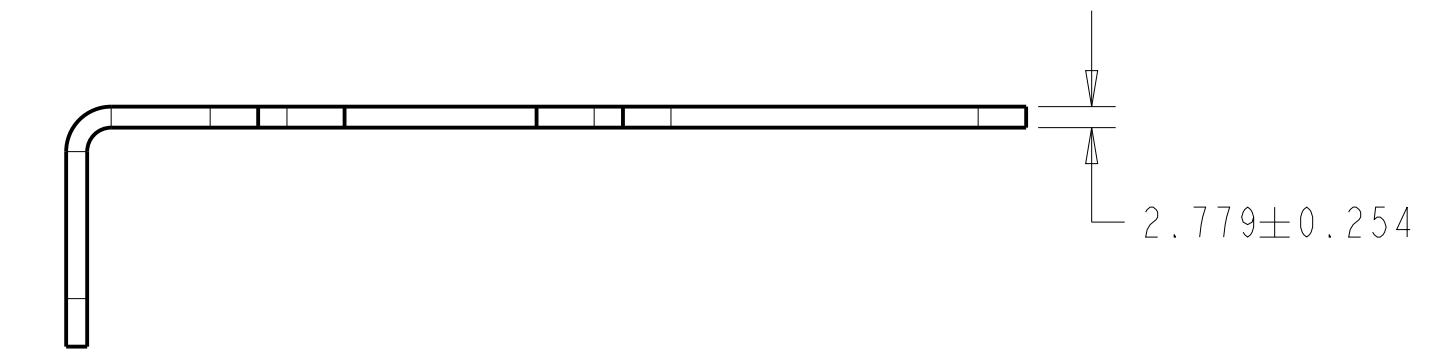
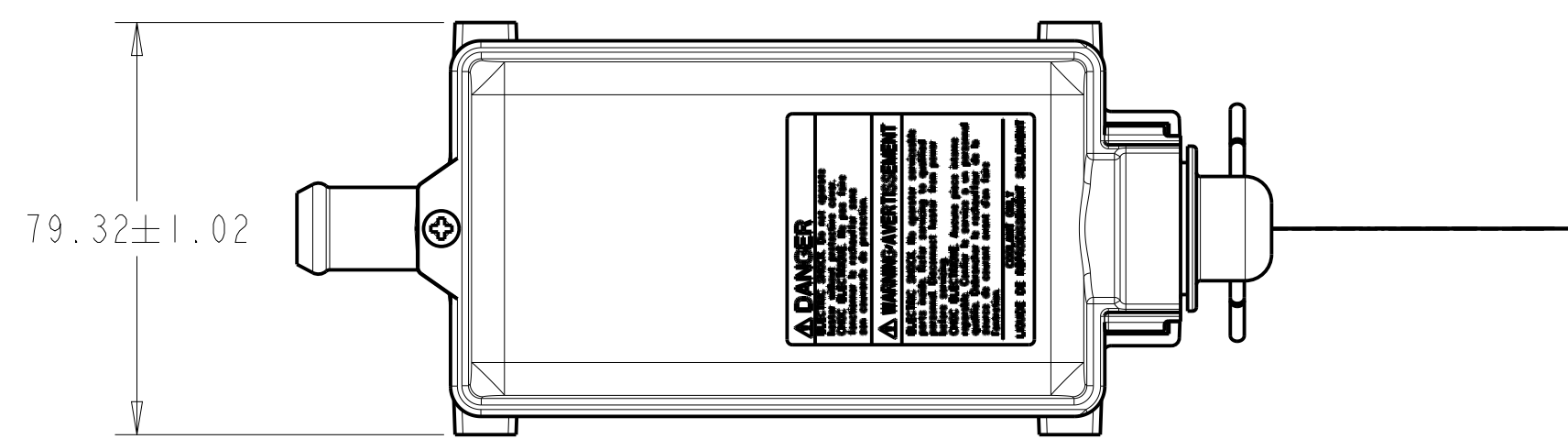


INCLUDED HARDWARE PARTS LIST

REF	DESCRIPTION	QTY
1	HEATER MOUNTING BRACKET	1
2	1/4" X 3/4" HEX HEAD BOLT	2
3	1/4" WASHER	4
4	1/4-20 HEX NUT	2
5	#10 STAINLESS STEEL HOSE CLAMP	2

NOTICE: This document is the property of Phillips & Temro Industries, Inc. and contains proprietary and trade secret information. The recipient of this document agrees to use the information contained herein only for the purpose for which it was furnished by Phillips & Temro Industries, Inc. and agrees not to copy or disclose this information without prior written approval. This notice shall appear on any complete or partial reproduction of this document.



INCLUDED MOUNTING BRACKET
SCALE 1.000

NOTES:

1. RATING: 1000 WATTS NOMINAL @ 230 VOLTS AC NOMINAL
2. 4.4 AMPS NOMINAL
3. REGULATING THERMOSTAT: 37.8°C (100°F) CLOSE NOMINAL. 48.9°C (120°F) OPEN NOMINAL
4. CE APPROVED
5. CORD: H07RN-F 1.0MM 1524MM (5FT) NOMINAL WITH BLUNT END.
6. SEE PARTS LIST FOR LIST OF ATTACHED HARDWARE
7. INCLUDES INSTALLATION INSTRUCTIONS
8. INDIVIDUALLY PACKED
9. HOSE CONNECTIONS PER SAE J1231

REV.	ECO	DESCRIPTION	DATE	BY	APPR
B	H3266	DESIGN UPDATE, REDRAWN IN CREO	05/02/18	JND	RJH
A	E2373	PRODUCTION RELEASE	10/07/10	RJH	RJH

PHILLIPS & TEMRO
industries

CAD SOURCE:
PRO/ENGINEER

SPECIAL CHARACTERISTICS:
 (I) INSPECTION
 (S) SAFETY/COMPLIANCE

DIMENSIONS ARE IN MM UNLESS SPECIFIED. DIMENSION TOLERANCES ARE:
 1.21 ± 0.30 ANGLES
 1.25 ± 0.30 ± 0°
 1.25 ± 0.13 ± 0°

THIRD ANGLE PROJECTION

MATERIAL: SEE BOM
 DATE: 05/02/18 DRAWN BY: JND
 SCALE: 0.750 APPR. BY: RJH

DESCRIPTION:
 CE IND CH 1000-230 (120F) HD

PRINTING ORIGIN: EDEN PRAIRIE
 ORIGINAL
 DIM. SIZE: D

PART No. SHEET 1 OF 1
 33E5018

REV. B