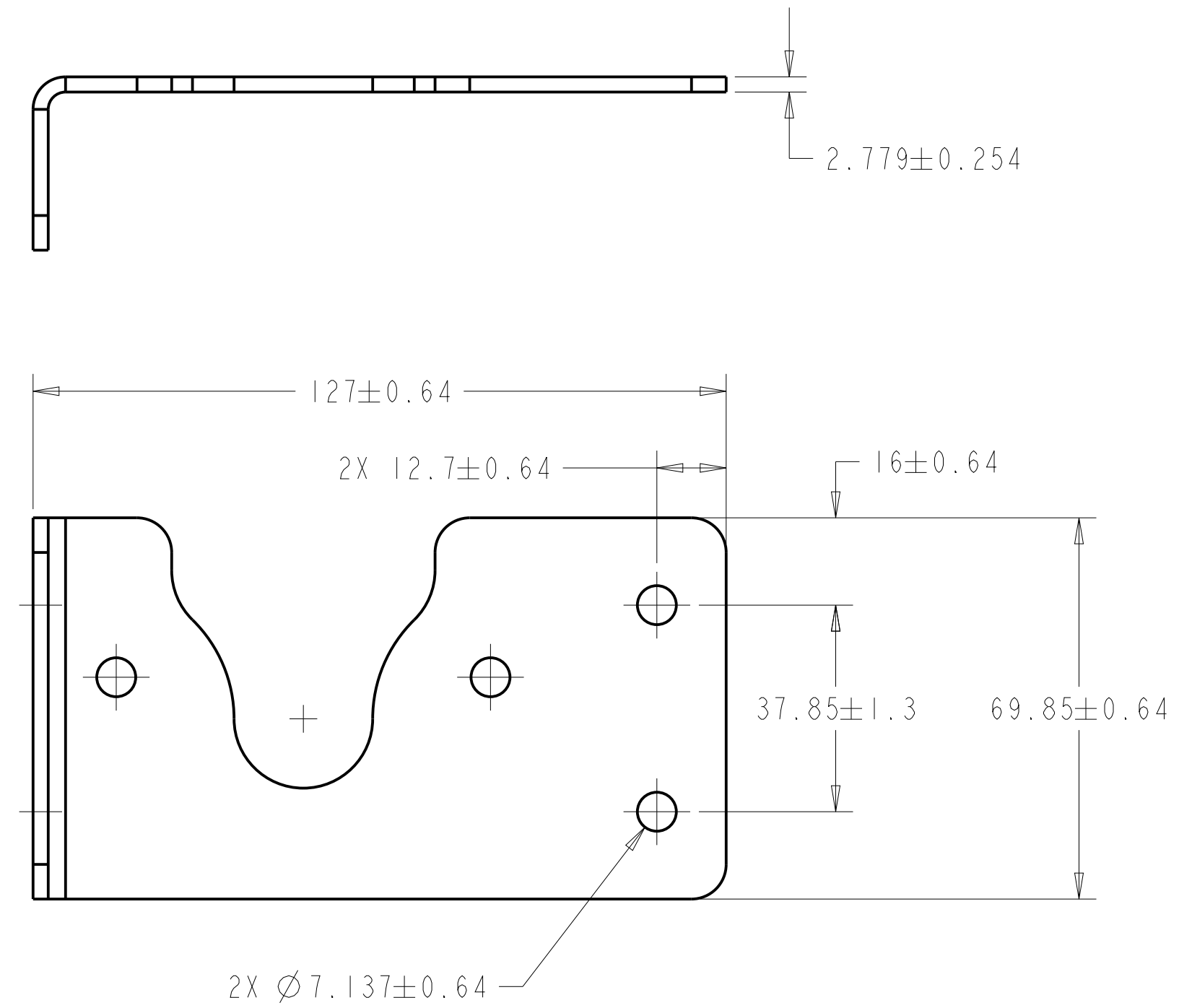
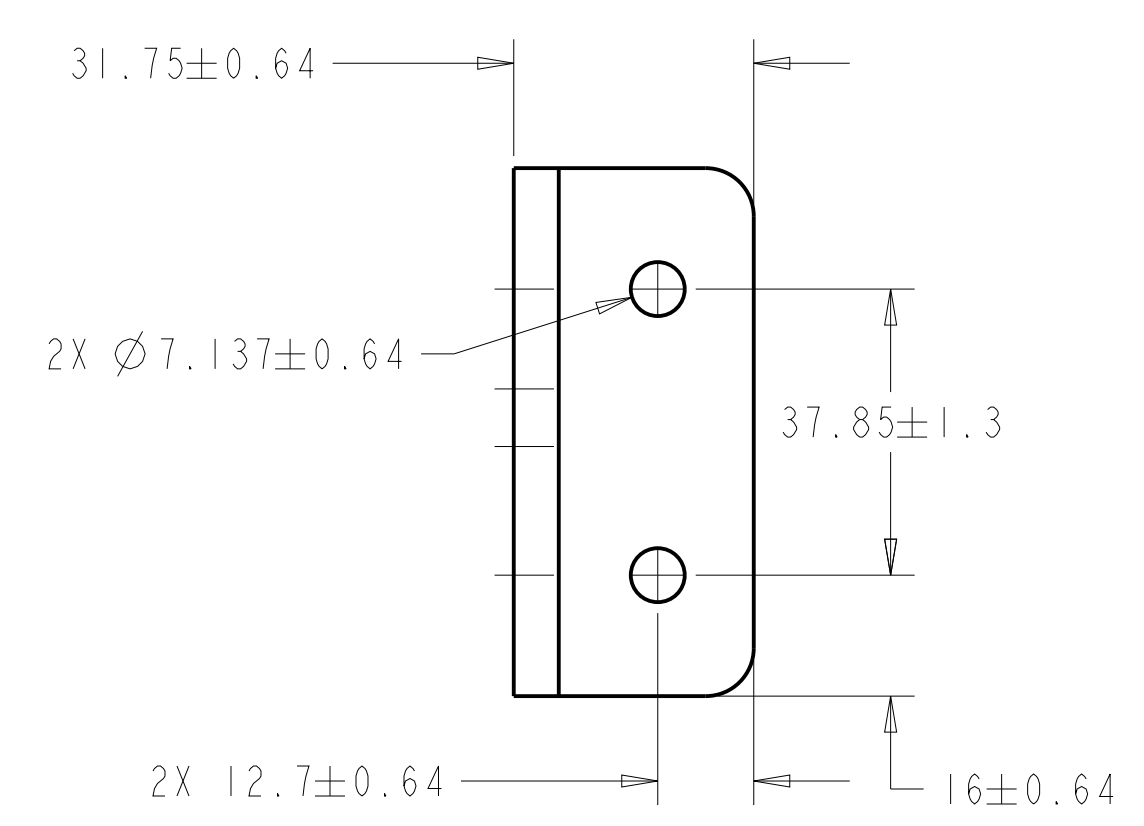
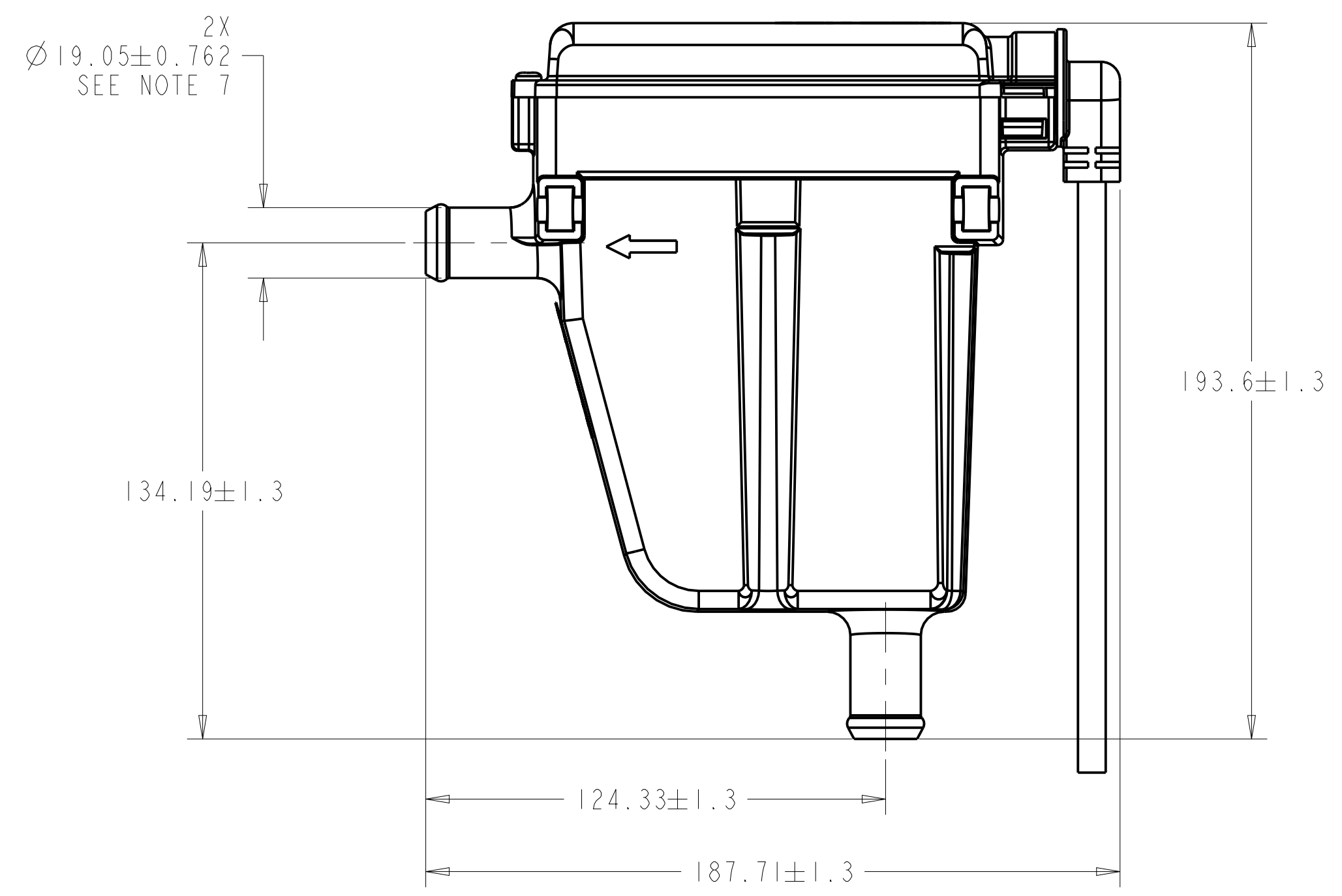
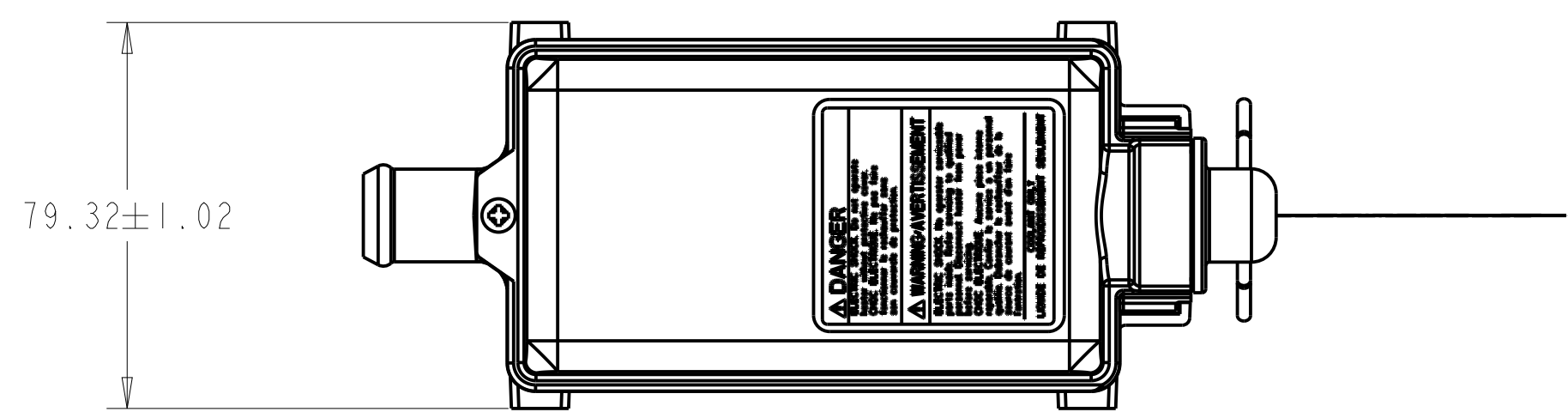


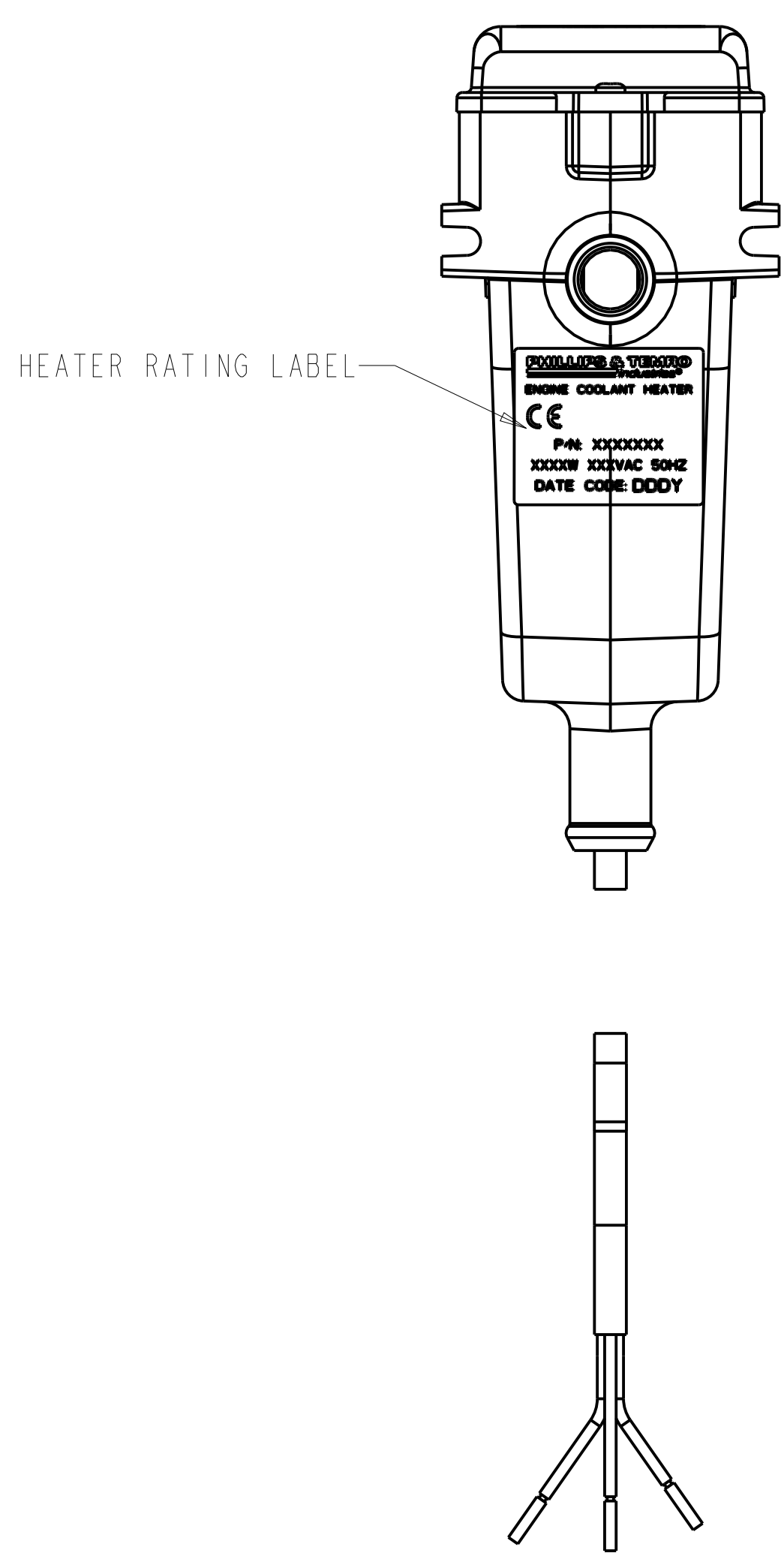
INCLUDED HARDWARE PARTS LIST

REF	DESCRIPTION	QTY
1	HEATER MOUNTING BRACKET	1
2	1/4" X 3/4" HEX HEAD BOLT	2
3	1/4" WASHER	4
4	1/4-20 HEX NUT	2
5	#10 STAINLESS STEEL HOSE CLAMP	2

NOTICE: This document is the property of Phillips & Temro Industries, Inc. and contains proprietary and trade secret information. The recipient of this document agrees to use the information contained herein only for the purpose for which it was furnished by Phillips & Temro Industries, Inc. and agrees not to copy or disclose this information without prior written approval. This notice shall appear on any complete or partial reproduction of this document.



INCLUDED MOUNTING BRACKET
SCALE 1.000



AVERTISSEMENT
CHOC ELECTRIQUE. Ne pas mettre la main dans l'unité sans avoir coupé le courant dans l'unité et la faire passer à la terre. Lire attentivement les instructions de sécurité. Ne pas utiliser l'unité si elle est endommagée. Ne pas modifier l'unité. Ne pas utiliser l'unité si elle est endommagée. Ne pas utiliser l'unité si elle est endommagée.

- NOTES:
1. RATING: 2250 WATTS NOMINAL @ 230 VOLTS AC NOMINAL
 2. 9.8 AMPS NOMINAL
 3. REGULATING THERMOSTAT: 37.8°C (100°F) CLOSE NOMINAL. 48.9°C (120°F) OPEN NOMINAL
 4. CE APPROVED
 5. CORD: H07RN-F 1.0MM 1524MM (5FT) NOMINAL WITH BLUNT END
 6. SEE PARTS LIST FOR LIST OF ATTACHED HARDWARE
 7. HOSE CONNECTIONS PER SAE J1231
 8. INDIVIDUALLY PACKED
 9. INCLUDES INSTALLATION INSTRUCTIONS

REV.	ECO	DESCRIPTION	DATE	BY	APPR
C	H4490	UPDATE DESC	09/10/20	JND	RJH
B	H3266	DESIGN UPDATE, REDRAW IN CREO	05/02/18	JND	RJH
A	E2373	RELEASED	10/06/10	JND	RJH

PHILLIPS & TEMRO
industries

CAD SOURCE:
PRO/ENGINEER

SPECIAL CHARACTERISTICS: INSPECTION, SAFETY/COMPLIANCE
DIMENSIONS ARE IN MM UNLESS SPECIFIED. DIMENSION TOLERANCES ARE:
F: .13 ± 0.50 ANGLES
M: .25 ± 0.30 ± 3°
L: .13 ± 0.13
MATERIAL: SEE BOM
DATE: 05/02/18 DRAWN BY: JND
SCALE: 0.750 APPR. BY: RJH
DESCRIPTION: CE IND CH 2250W/230V(120F)HD1.5M BLUNT
DRAWING ORIGIN: EDEN PRAIRIE ORIGINAL PART No. 33E5002 REV. C