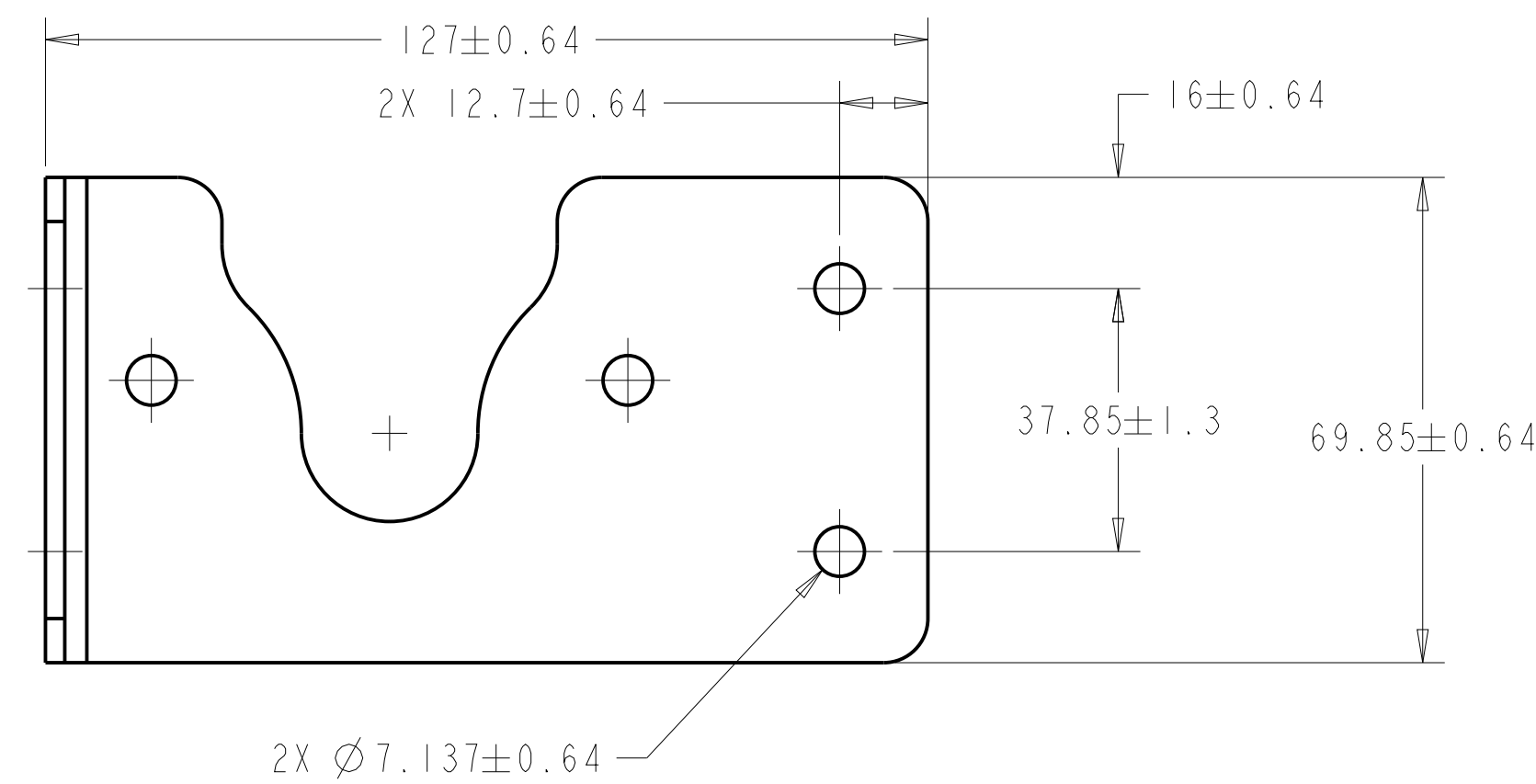
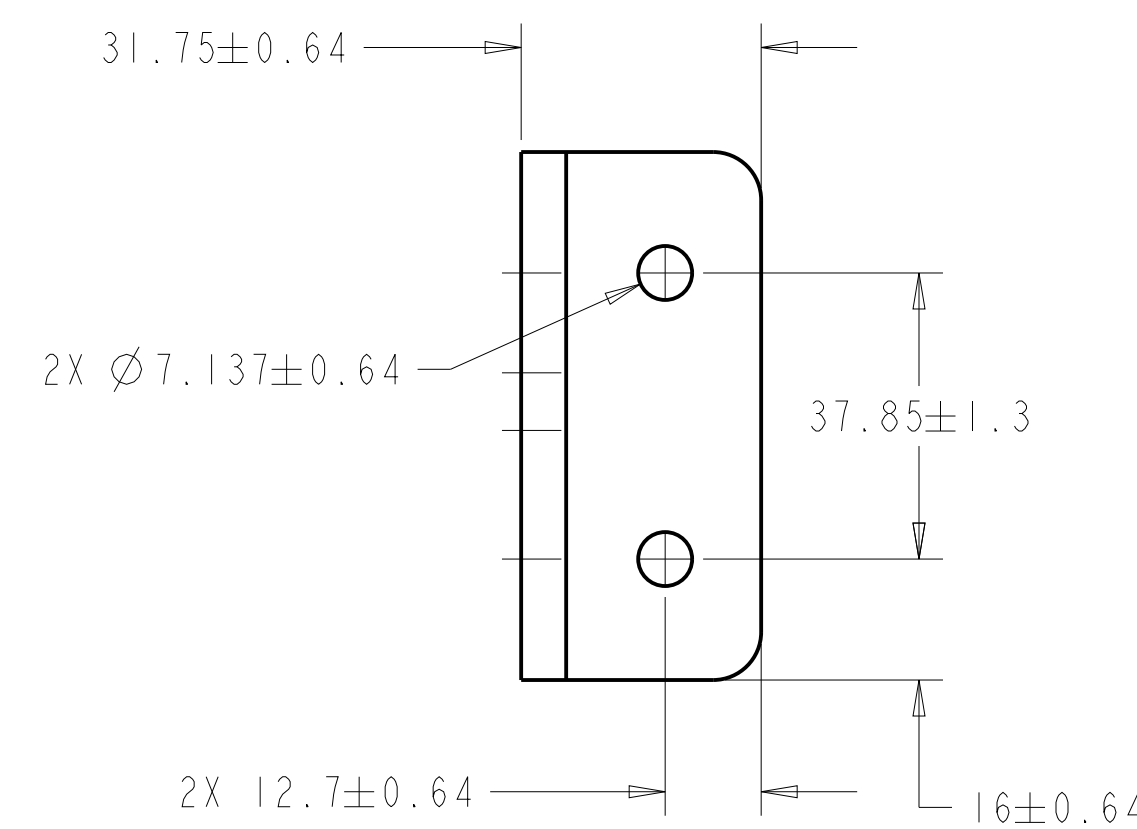
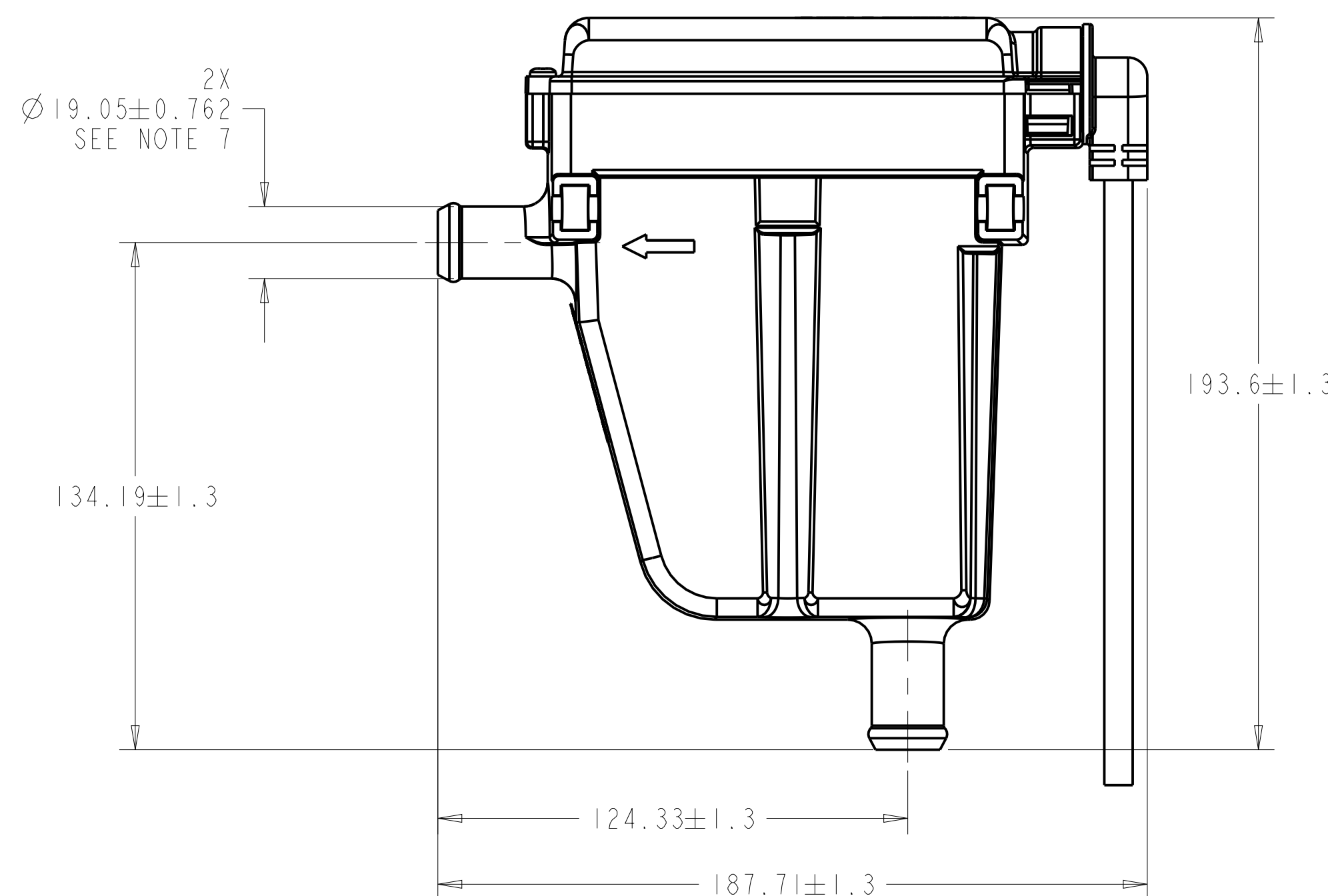
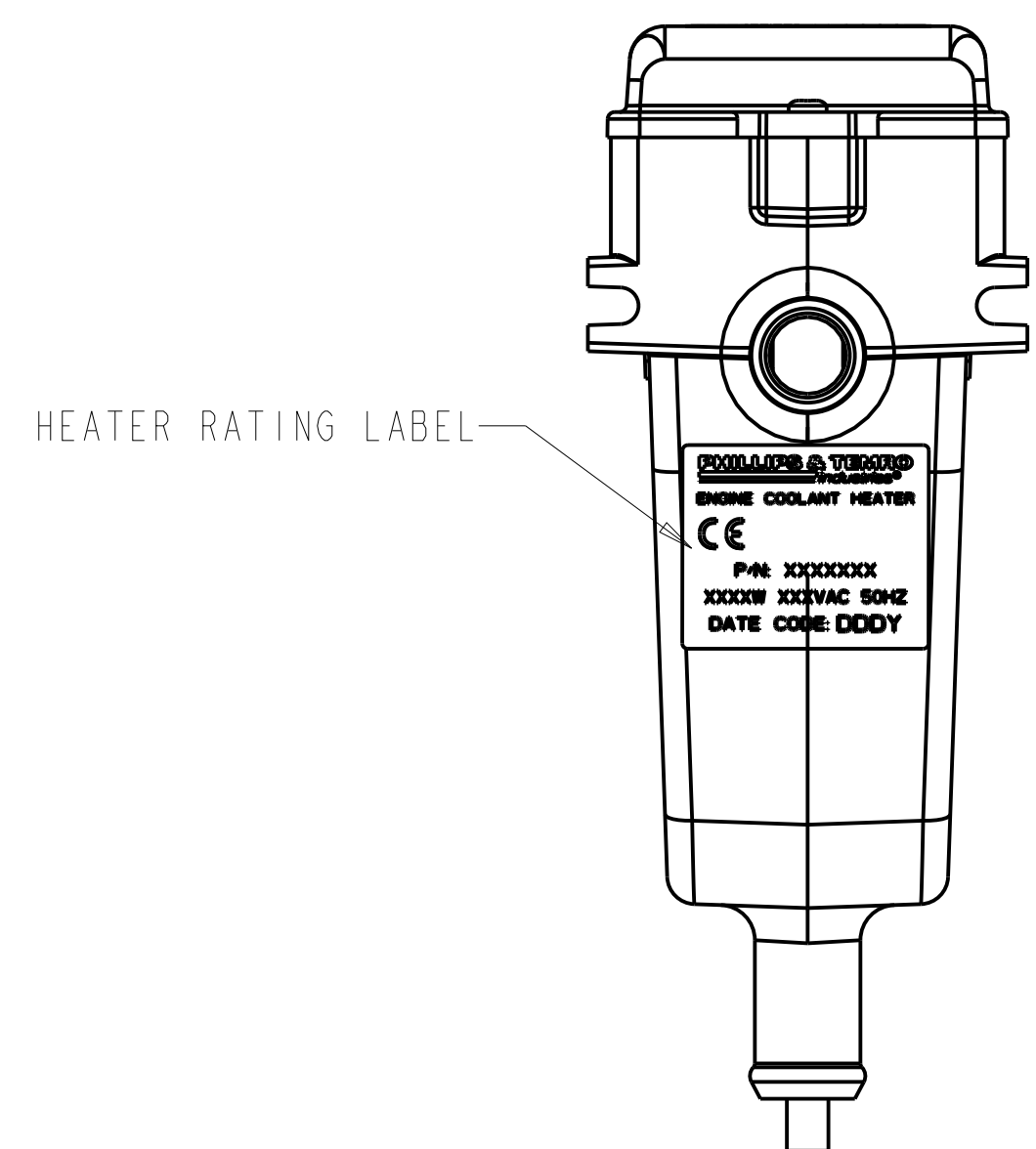
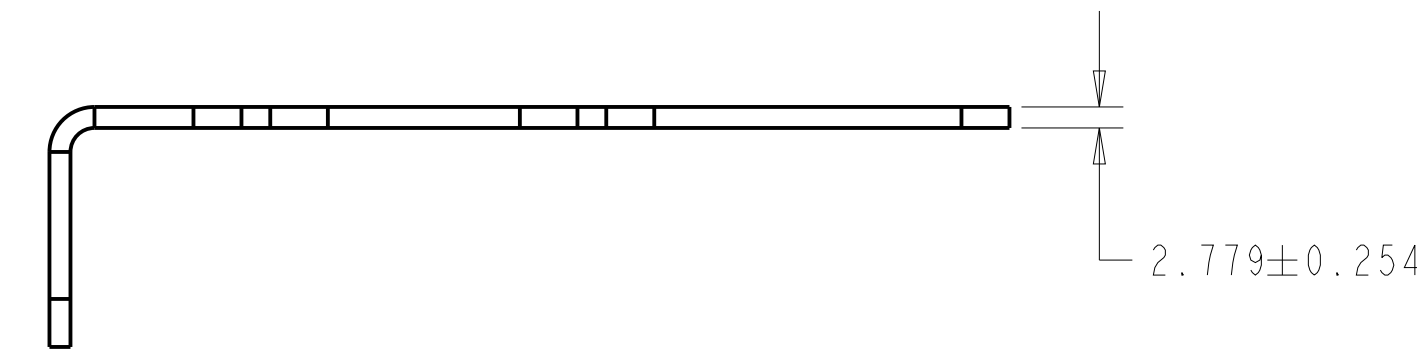
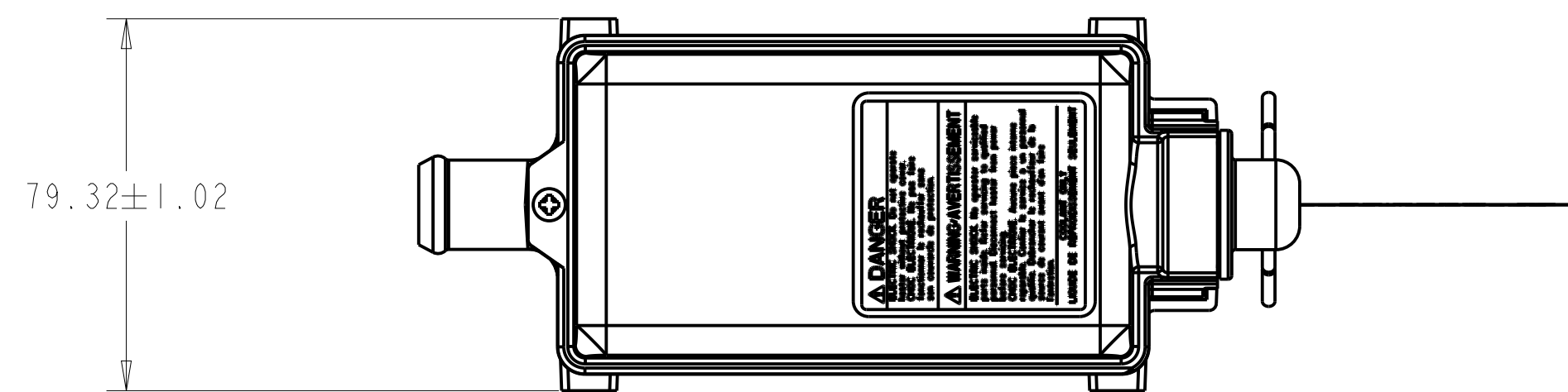


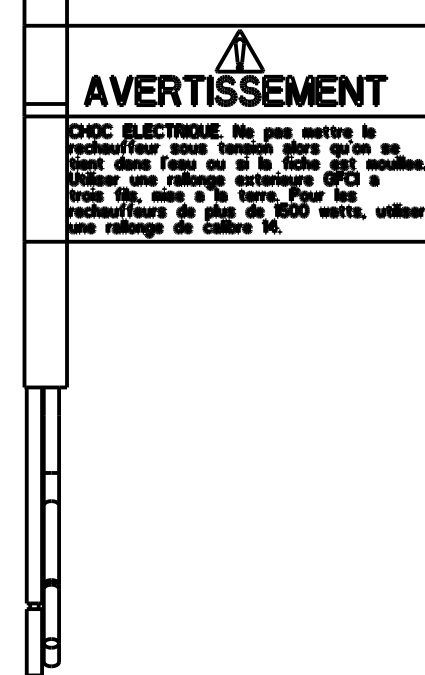
INCLUDED HARDWARE PARTS LIST

REF	DESCRIPTION	QTY
1	HEATER MOUNTING BRACKET	1
2	1/4" X 3/4" HEX HEAD BOLT	2
3	1/4" WASHER	4
4	1/4-20 HEX NUT	2
5	#10 STAINLESS STEEL HOSE CLAMP	2

NOTICE: This document is the property of Phillips & Temro Industries, Inc. and contains proprietary and trade secret information. The recipient of this document agrees to use the information contained herein only for the purpose for which it was furnished by Phillips & Temro Industries, Inc. and agrees not to copy or disclose this information without prior written approval. This notice shall appear on any complete or partial reproduction of this document.



INCLUDED MOUNTING BRACKET
SCALE 1.000



- NOTES:
1. RATING: 1500 WATTS NOMINAL @ 230 VOLTS AC NOMINAL
 2. 6.5 AMPS NOMINAL
 3. REGULATING THERMOSTAT: 37.8°C (100°F) CLOSE NOMINAL, 48.9°C (120°F) OPEN NOMINAL
 4. CE APPROVED
 5. CORD: H07RN-F 1.0MM 1524MM (5FT) NOMINAL WITH BLUNT END
 6. SEE PARTS LIST FOR LIST OF ATTACHED HARDWARE
 7. HOSE CONNECTIONS PER SAE J1231
 8. INDIVIDUALLY PACKED
 9. INCLUDES INSTALLATION INSTRUCTIONS

REV.	ECO	DESCRIPTION	DATE	BY	APPR
C	H4489	UPDATE DESC	08/25/20	JND	RJH
B	H3266	DESIGN UPDATE, REDRAW IN CREO	05/02/18	JND	RJH
A	E2373	RELEASED	10/6/10	JND	RJH

PHILLIPS & TEMRO
 industries
 CAD SOURCE:
 PRO/ENGINEER

SPECIAL CHARACTERISTICS: DIMENSIONS ARE IN MM UNLESS SPECIFIED. DIMENSION TOLERANCES ARE:
 INSPECTION: 1.27 ± 0.50 ANGLES
 SAFETY/COMPLIANCE: 1.27 ± 0.30 ± 3°
 1.27 ± 0.13

MATERIAL: SEE BOM
 DATE: 05/02/18 DRAWN BY: JND
 SCALE: 0.750 APPR. BY: RJH

DESCRIPTION:
 CE IND CH 1500W/230V(120F)HD1.5M BLUNT

DRAWING ORIGIN: ORIGINAL PART No. 33E5001 REV. C
 EDEN PRAIRIE MINN. SIZE: D