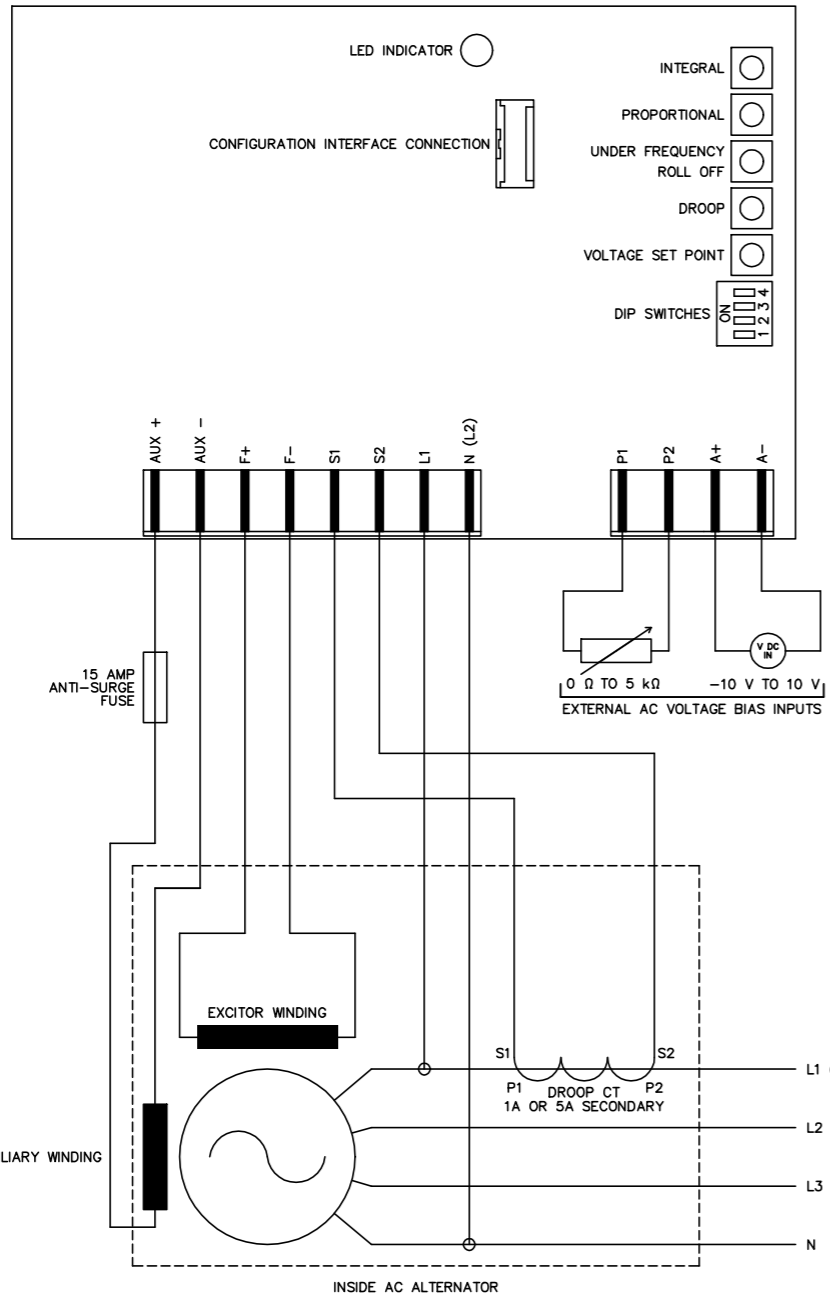


DIP SWITCH 1 & 2 FUNCTIONALITY			
SWITCH	FUNCTION	OFF STATE	ON STATE
1	VOLTAGE SENSING RANGE	90 V TO 300 V	180 V TO 600 V
2	FREQUENCY RANGE	50 Hz	60 Hz

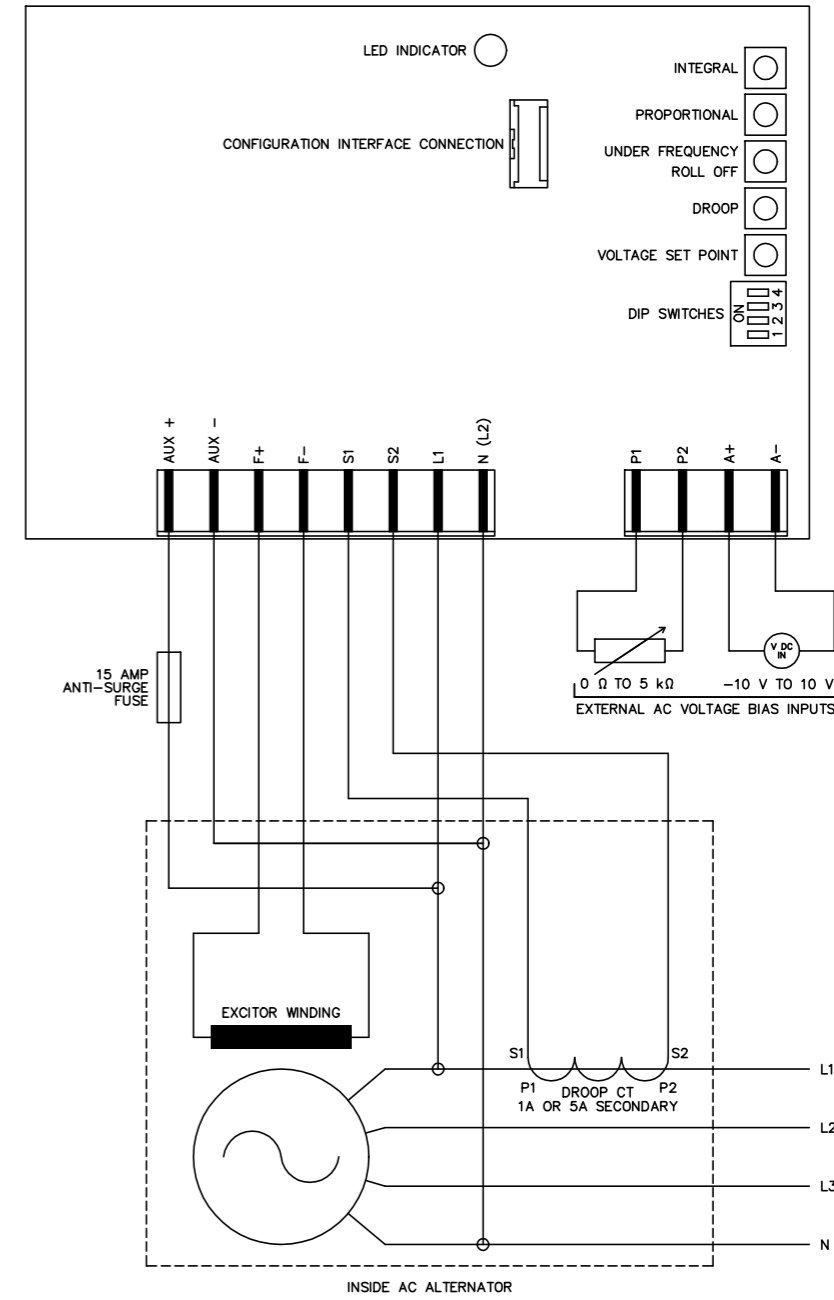
DIP SWITCH 3 & 4 FUNCTIONALITY		
SWITCH 3 STATE	SWITCH 4 STATE	FUNCTION
OFF	OFF	STABILITY CONFIGURATION 1
ON	OFF	STABILITY CONFIGURATION 2
OFF	ON	STABILITY CONFIGURATION 3
ON	ON	STABILITY CONFIGURATION 4



UNITS = NA									
TOLERANCE	REVISION	DATE	TITLE	DSEA106 MKII AUX					
NA	CHK1			TYPICAL CONNECTIONS					
	CHK1			DSEA106 MKII AUX					
	DRN, IAS	26/09/16	DWC	No. 035-253					
				ISS No. 2 SHEET 1/3					

DIP SWITCH 1 & 2 FUNCTIONALITY			
SWITCH	FUNCTION	OFF STATE	ON STATE
1	VOLTAGE SENSING RANGE	90 V TO 300 V	180 V TO 600 V
2	FREQUENCY RANGE	50 Hz	60 Hz

DIP SWITCH 3 & 4 FUNCTIONALITY		
SWITCH 3 STATE	SWITCH 4 STATE	FUNCTION
OFF	OFF	STABILITY CONFIGURATION 1
ON	OFF	STABILITY CONFIGURATION 2
OFF	ON	STABILITY CONFIGURATION 3
ON	ON	STABILITY CONFIGURATION 4



UNITS = NA									
TOLERANCE	REVISION	DATE	TITLE	DSEA106 MKII SHUNT					
NA	CHK1			TYPICAL CONNECTIONS					
	CHK1			DSEA106 MKII SHUNT					
	DRN, IAS	26/09/16	DWC	No. 035-253					
				ISS No. 2 SHEET 2/3					