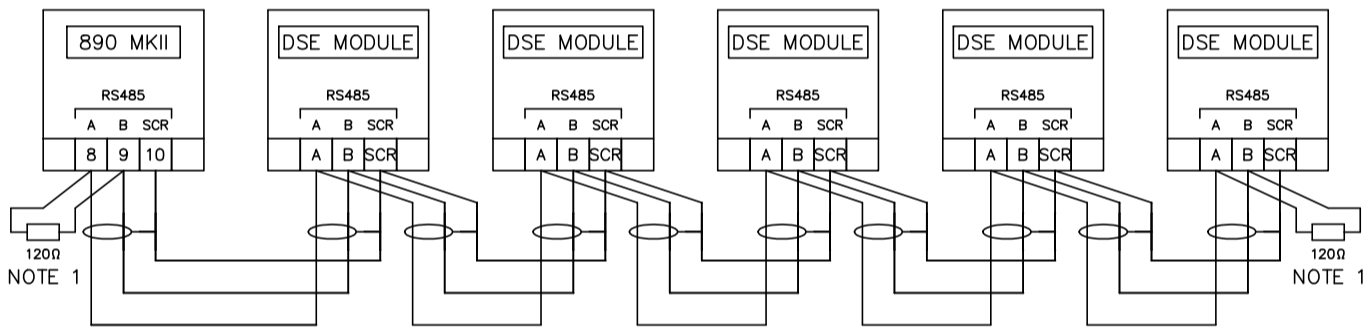
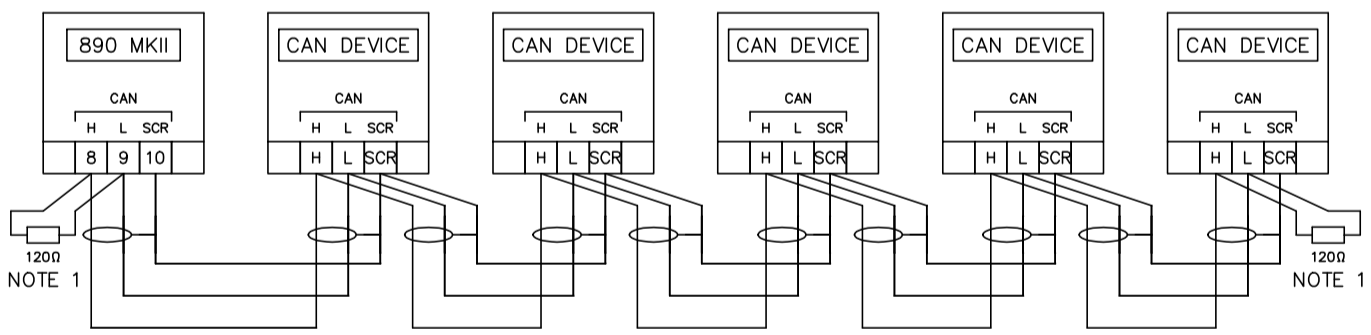


BATTERY NEGATIVE MUST BE GROUND  
 NOTE 1. THESE GROUND CONNECTIONS MUST BE CONNECTED TO THE SAME GROUND AS BATTERY NEGATIVE.  
 NOTE 2. IF THE MODULE IS FIRST OR LAST UNIT ON THE LINK, IT MUST BE FITTED WITH A 120 OHM TERMINATION RESISTOR ACROSS THE A AND B OR H AND L TERMINALS.



NOTE 1. A 120 OHM TERMINATION RESISTOR MUST BE FITTED ACROSS THE A AND B TERMINALS AT THE START AND END OF THE LINK



NOTE 1. A 120 OHM TERMINATION RESISTOR MUST BE FITTED ACROSS THE H AND L TERMINALS AT THE START AND END OF THE LINK

UNITS = NA		AS 14/03/22	DSE	DEEP SEA ELECTRONICS PLC HIGHFIELD HOUSE HUNMANBY INDUSTRIAL EST. N. YORKSHIRE, YO14 0PH
		AS 21/10/19		
		AS 25/07/19		
		AS 20/06/19		
TOLERANCE	REVISION	DATE	TITLE TYPICAL CONNECTIONS	
NA	CHK.		890 MKII	
	CHK.		DWG No. 035-267	
	DRN.	AS 16/03/18	ISS No. 5	SHEET 1/1